

THIS DRAWING IS UNPUBLISHED.

RELEASED FOR PUBLICATION

© COPYRIGHT BY

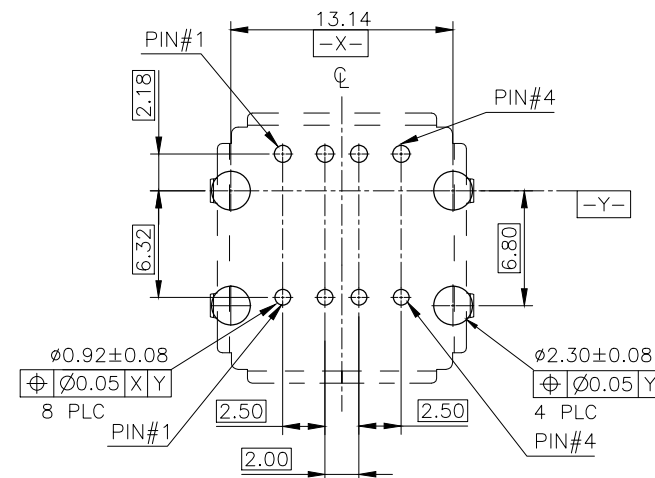
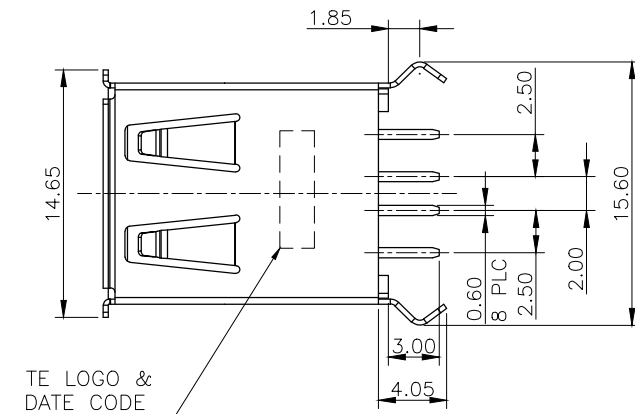
ALL RIGHTS RESERVED.

LOC DW

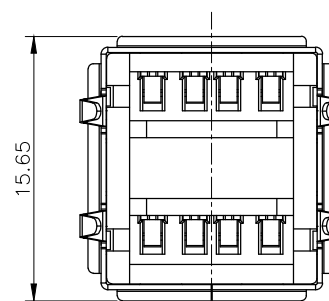
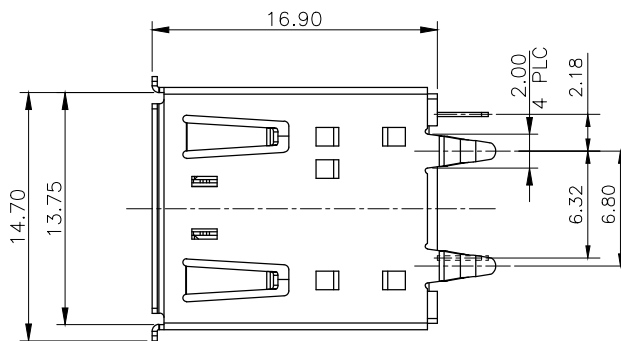
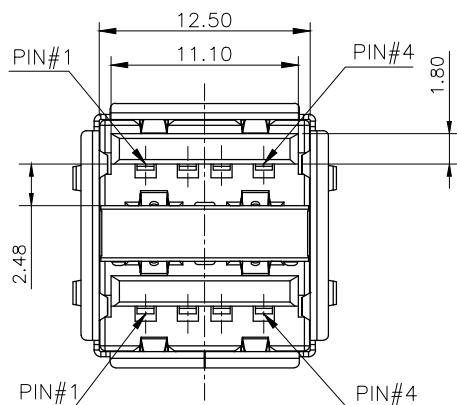
DIST

REVISIONS

P	LTR	DESCRIPTION	DATE	DWN	APVD
B3		REVISED (ECR-14-006687)	05FEB15	S.C	H.L



RECOMMEND P.C.B LAYOUT THICKNESS=1.6mm
(COMPONENT SIDE) TOLERANCES:0.05mm



NOTES:

- MATERIAL:
HOUSING: (SEE TABLE) WITH 30% GF, UL 94V-0, BLACK COLOR
CONTACT: BRASS, (t=0.25±0.05mm).
SHIELD: BRASS, (t=0.30±0.05mm).
GROUNDING STRIP: SUS. (T=0.20±0.05mm).
- FINISH :
CONTACT: (SEE TABLE) GOLD PLATING ON CONTACT AREA,
3.048µm [120µ"] MIN. BRIGHT TIN PLATING ON SOLDER TAILS
1.27µm [50µ"] MIN. NICKEL UNDERPLATING ALL OVER.
SHIELD: 0.762µm [30µ"] MIN. NICKEL PLATING OVER
2.54µm [100µ"] MIN Cu.
- WAVE SOLDER CAPABLE TO 265°C PER TEST SPEC.
109-202, CONDITION B.
- REFLOW SOLDER CAPABLE TO 260°C PER TE CONNECTIVITY TEST SPEC.
109-201, CONDITION B.

OBSOLETE PARTS

PA9T	50µ"	1-1775066-3
	30µ"	1-1775066-2
	G/F	1-1775066-1
PBT	50µ"	1775066-3
	30µ"	1775066-2
	G/F	1775066-1
HSG. MATERIAL	GOLD PLATING	PART NUMBER

THIS DRAWING IS A CONTROLLED DOCUMENT.		DWN F. YANG 20MAR2009	TE Connectivity	
DIMENSIONS: MM		CHK S. CHIEN 20MAR2009		
TOLERANCES UNLESS OTHERWISE SPECIFIED:		APVD W. KODAMA 20MAR2009	NAME	
 0 PLC ± - 1 PLC ± 0.25 2 PLC ± 0.20 3 PLC ± - 4 PLC ± - ANGLES ± 3°		PRODUCT SPEC 108-57505	USB CONNECTOR, STACKED, VERTICAL, DIP, A TYPE	
MATERIAL SEE NOTE		QUALIFICATION TEST REPORT 501-57611	SIZE A3	CAGE CODE 00779
FINISH SEE NOTE		WEIGHT 4.57 GRAMS	DRAWING NO C=1775066	RESTRICTED TO
CUSTOMER DRAWING			SCALE	SHEET 1 of 2
			REV B3	

THIS DRAWING IS UNPUBLISHED.

RELEASED FOR PUBLICATION

ALL RIGHTS RESERVED.

© COPYRIGHT BY

LOC DW

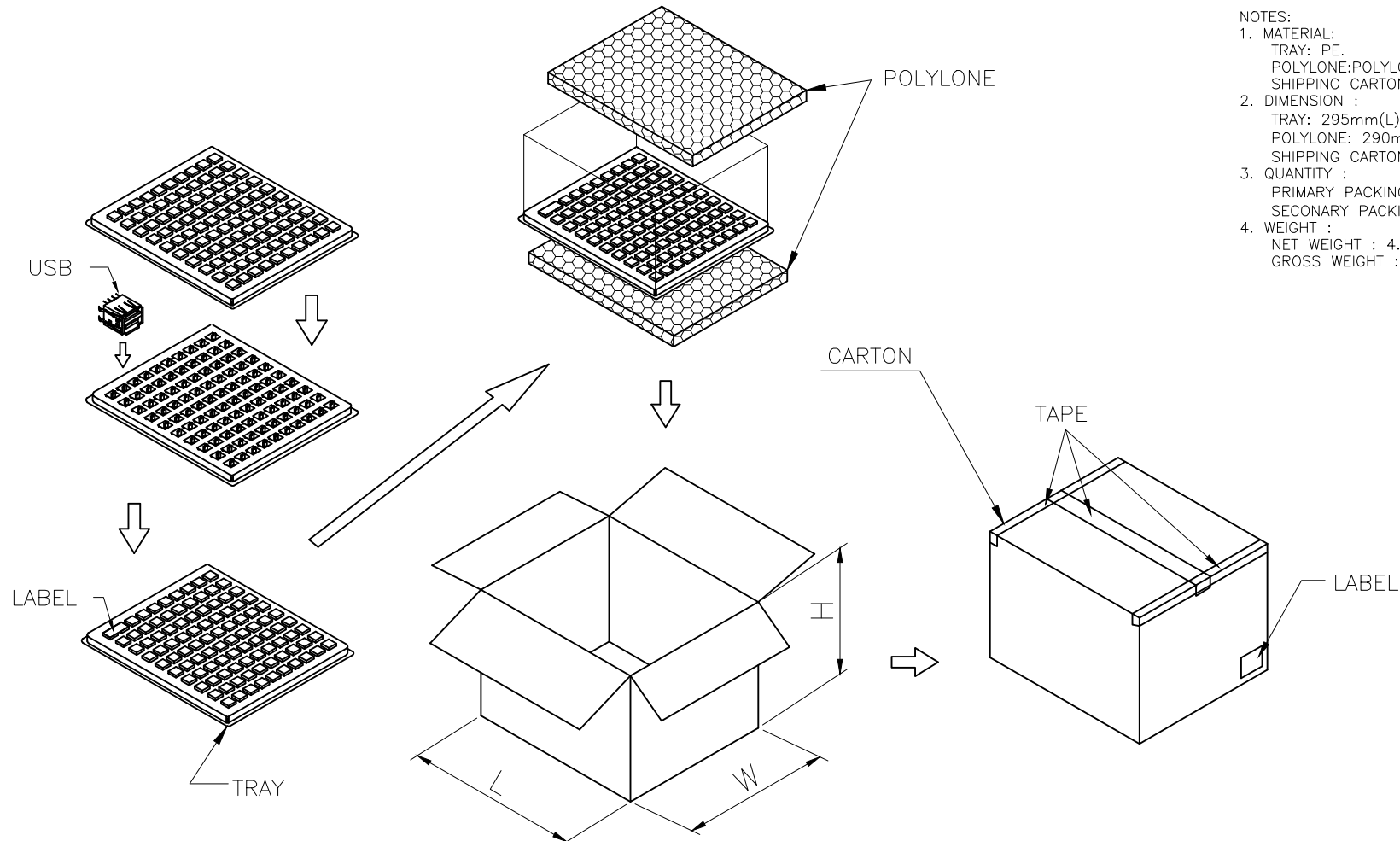
DIST

REVISIONS

P	LTR	DESCRIPTION	DATE	DWN	APVD
-		SEE SHEET 1			

NOTES:

- MATERIAL:
TRAY: PE.
POLYLONE: POLYLONE
SHIPPING CARTON: CORRUGATED FIBER.
- DIMENSION :
TRAY: 295mm(L)X 255mm(W)X 19mm(H)
POLYLONE: 290mm(L)X 250mm(W)X 20mm(H)
SHIPPING CARTON: 315mm(L)X 260mm(W)X 220mm(H)
- QUANTITY :
PRIMARY PACKING: 100 PCS/TRAY
SECONDARY PACKING: 10 TRAYS/CARTON(1000PCS).
- WEIGHT :
NET WEIGHT : 4.57 KG
GROSS WEIGHT : 6.63 KG



THIS DRAWING IS A CONTROLLED DOCUMENT.		DWN	STE TE Connectivity	
DIMENSIONS: MM		CHK		
TOLERANCES UNLESS OTHERWISE SPECIFIED:		APVD	NAME	
0 PLC ± -		PRODUCT SPEC	USB CONNECTOR, STACKED, VERTICAL, DIP, A TYPE	
1 PLC ± -		QUALIFICATION TEST REPORT	SIZE	RESTRICTED TO
2 PLC ± -		WEIGHT	A3	
3 PLC ± -		CUSTOMER DRAWING	CAGE CODE	DRAWING NO
4 PLC ± -			00779	C=1775066
ANGLES ± -			SCALE	SHEET 2 of 2
MATERIAL SEE NOTE	FINISH SEE NOTE			REV B3